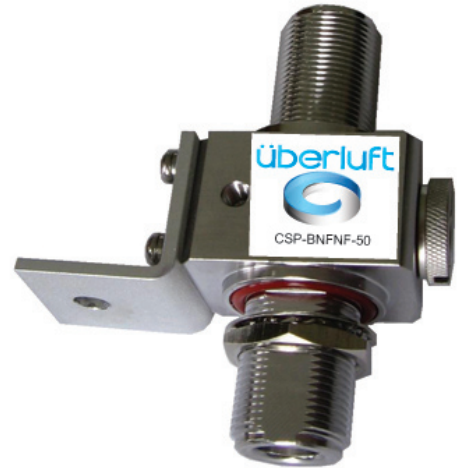




Coaxial surge suppressor

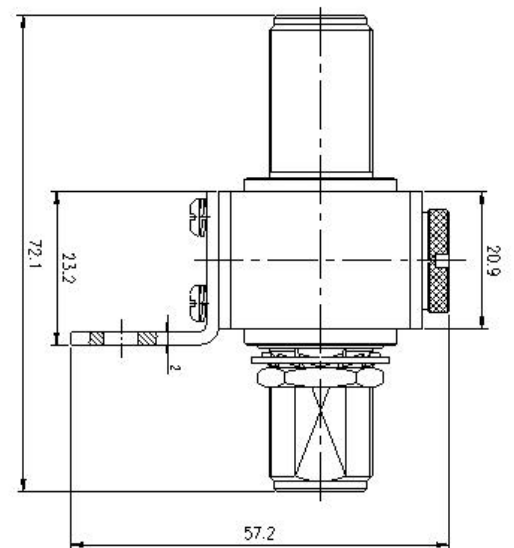
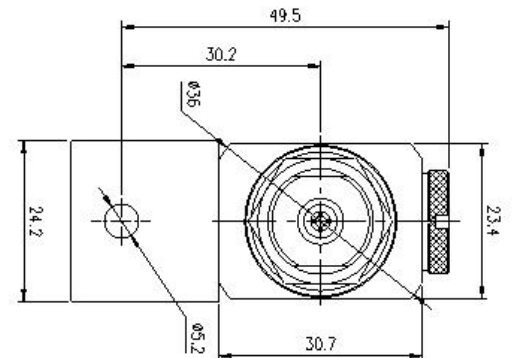


Part # CSP-BNFNF-50

The coaxial surge suppressor is a fully weatherized Broadband DC Blocked Protector intended to be connected directly to a bulkhead or a master ground bar.

Specifications:

- Drop in replacement for other major brands
- Bulkhead mounting
- Nominal DC spark over voltage 90 Volts \pm 20%
- Maximum Peak Power 40 Watts
- Impedance 50 Ω
- Frequency range 0 MHz – 2.6 GHz
- Insertion losses 0.4 dB
- Return losses > 20 dB
- Nom. Discharge current for 8/20 μ s - 10 x 5 kA
- Max. Discharge current for 8/20 μ s - 1 x 10 kA
- Residual voltage 1kV/ μ s < 600 Volts
- Insulation > 10 G Ω
- Operation Temperature -40 to +80 $^{\circ}$ C



To order surge suppressors:

Web: www.uberluft.com