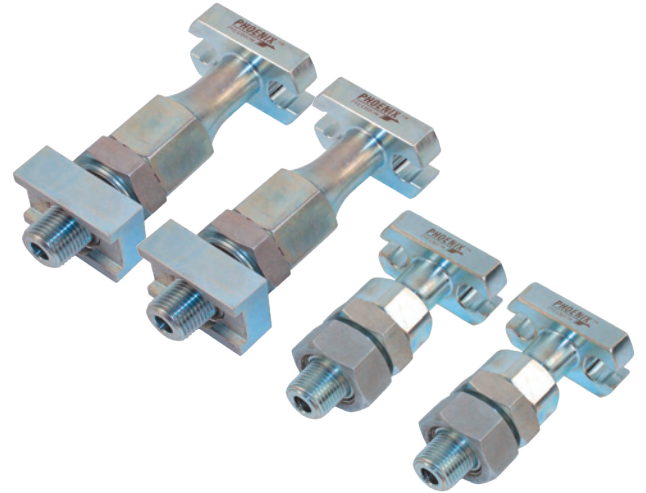


**STABILIZER TAPS (FUTBOLS)**

US PATENT NO.: D541,645

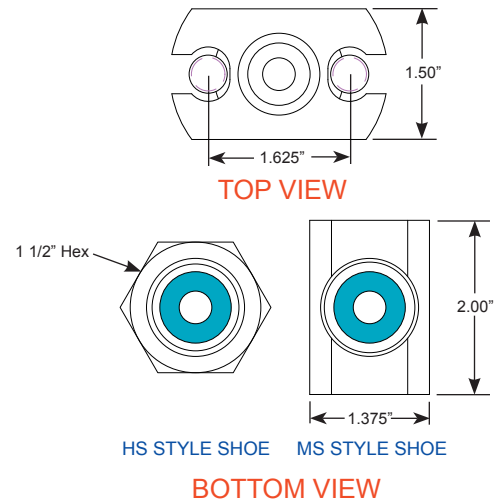
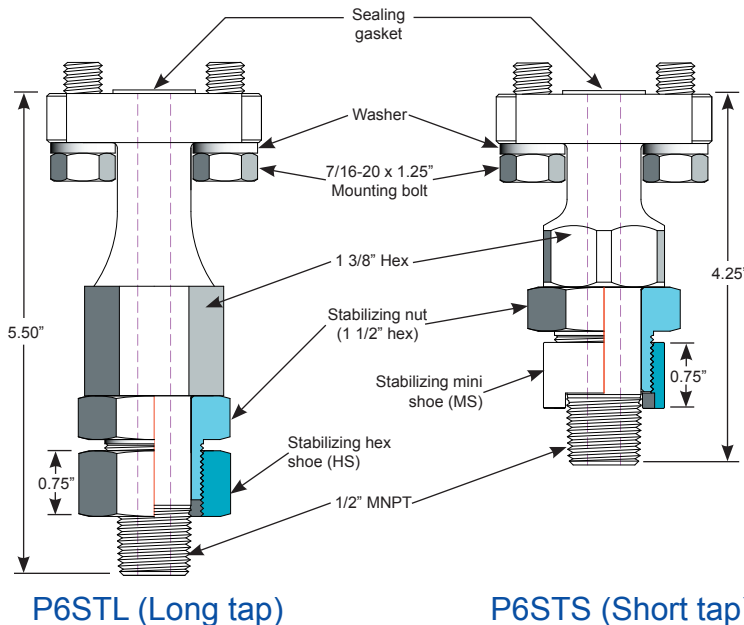
**3/8" Bore Stabilizer Taps**

The 6ST futbol is available in both carbon and stainless steel, in short and long configurations (for different clearance requirements), and with shoe styles shoes for both round (i.e.: orifice flange unions) and flat (i.e.: senior fittings) surfaces. The tap's slotted bolt holes will accommodate 2.125" to 2.250" bolt spacing. The tap shoes create a larger footprint which transfers the radial load away from the NPT threads. Dielectric gaskets are available to provide a non-conductive barrier between the instrument and the meter. These taps also feature wrench flats to facilitate quick and easy installation.



**MODEL NUMBERING SYSTEM**

Phoenix	Orifice Size	Type	Tap Length	Inlet Size	Inlet Type	Outlet Type	Material	Shoe Type	Option
P	6=3/8"	ST	L=Long	8=1/2"	M=MNPT	IF=INTEGRAL FLANGE	SS=ASTM A182 316 /316L	HS=Hex Style for Flat Surface	DI=Dielectric
			S=Short				CS=ASTM A108 CS	MS=Shoe Style for Round Surface	OR=O-ring Seals
Example: P6ST6L8MIFSSHS = 3/8" Bore, 1/2" MNPT Inlet, Integral Flange Outlet, 316SS, Hex Shoe									S6=316SS Bolts
<b>P</b>	<b>6</b>	<b>ST</b>	<b>L</b>	<b>8</b>	<b>M</b>	<b>IF</b>	<b>SS</b>	<b>HS</b>	
Note: <b>Standard Bolting Options</b> , CS - carbon steel, Gr.8, zinc plated bolts; SS - stainless steel, 18.8 (304SS) bolts.									



**NON STABILIZED TAPS (FUTBOLS)**

US PATENT NO.: D541,645

**3/8" Bore Futbols**

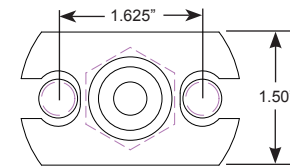
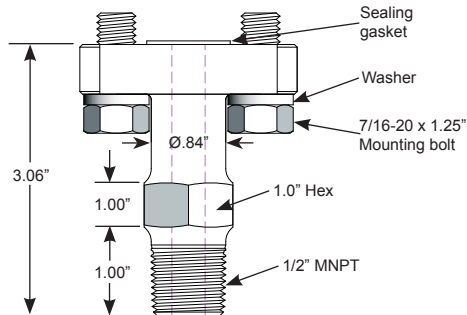
The 6FB futbol is designed for lightweight, vertical, close-couple installations. The 6FB is a non-stabilized futbol and should not be used in high vibration applications or in applications featuring large loads. The 6FB features a 3/8" bore design and is available in A108 carbon steel or 316 stainless steel. This futbol features wrench flats to facilitate quick and easy installation.



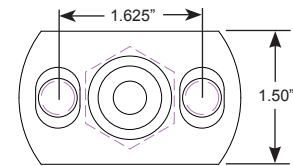
**MODEL NUMBERING SYSTEM**

Phoenix	Orifice Size	Type	Inlet Size	Inlet Type	Outlet Type	Material	Option
P	6=3/8"	FB	8=1/2"	M=MNPT	IF=INTEGRAL FLANGE	SS=ASTM A182 316/316L	DI=Dielectric
		FBNS				CS=ASTM A108 CS	OR=O-ring Seals
Example: P6FBNS8MIFSS = 3/8" Bore, FUTBOL Non Slotted, 1/2" MNPT Inlet, Integral Flange Outlet, 316SS							S6=316SS Bolts
<b>P</b>	<b>6</b>	<b>FBNS</b>	<b>8</b>	<b>M</b>	<b>IF</b>	<b>SS</b>	

Note: **Standard Bolting Options**, **CS** - carbon steel, Gr.8, zinc plated bolts; **SS** - stainless steel, 18.8 (304SS) bolts.



TOP VIEW (slot type)



TOP VIEW (non-slot type)

**Phoenix Precision Products Meet the Following Specifications:**

- ✓ ASME B31.1 Power Piping
- ✓ ASME B31.3 Process Piping
- ✓ ASME B16.34 Valves - Flanged, Thread, and Welding End
- ✓ API 598 Valve Inspection and Testing
- ✓ MSS SP-25 Standard Marking Systems for Valves, Fittings and Flange Unions
- ✓ MSS SP-99 Instrument Valves
- ✓ MSS SP-105 Instrument Valves for Code Applications
- ✓ NACE MR0175/ISO15156 for all 316SS valves and A105cs body/316SS bonnet (SC-Material Code) when in service with less than 50 PPM of chlorides

**For further information please contact:**

Phoenix Precision Ltd.  
2620 21st Street N.E.  
Calgary, Alberta T2E 7L3  
Phone: (403) 291-3154  
Fax: (403) 291-3292  
email: phoenix@phoenixprecision.ca  
www.phoenixprecisionvalves.com

**Distributor / Representative:**



Phoenix Precision Ltd. (PPL) provides the information herein in good faith but makes no representation as to its comprehensiveness or accuracy. The information contained herein is intended only as a guide to PPL products and services. Individuals using information must exercise independent judgment in evaluating product selection and determining product appropriateness for their particular purpose and system requirements. PPL MAKES NO REPRESENTATIONS OR WARRANTIES, EITHER EXPRESS OR IMPLIED, INCLUDING WITHOUT LIMITATION ANY WARRANTIES OF MERCHANTABILITY OR FITNESS FOR A PARTICULAR PURPOSE WITH RESPECT TO THE INFORMATION SET FORTH HEREIN OR THE PRODUCT(S) TO WHICH THE INFORMATION REFERS. ACCORDINGLY, PPL WILL NOT BE RESPONSIBLE FOR DAMAGES (OF ANY KIND OR NATURE, INCLUDING INCIDENTAL, INDIRECT, OR CONSEQUENTIAL DAMAGES) RESULTING FROM THE USE OF OR RELIANCE UPON THIS INFORMATION. Patents and Patents Pending in the U.S. and foreign countries. PPL reserves the right to change product designs and specifications without notice.

DELTRIN, TEFLON, VITON and TEFLON are registered trademarks (hereinafter referred to as TM) of E.I. Du Pont De Nemours and Company Corporation. PEEK is a registered TM of Whitford Worldwide Company and Whitford B.V. KEL-F is a registered TM of M.W. Kellogg Company. GRAFOIL is a registered TM of High Temperature Materials Inc. and Graftech INC. Corporation. AFLAS is a registered TM of Asahi Glass Co. Ltd. Corporation Japan. MONEL and INCONEL are registered TMs of Huntington Alloys Corporation. HASTELLOY is a registered TM of Haynes International, Inc.

© 2010 by Phoenix Precision Ltd. All rights reserved. Material in this brochure or catalogue may not be reproduced in whole or in part, in any form, without written permission from the publisher.