



# 110 Ah BATTERY

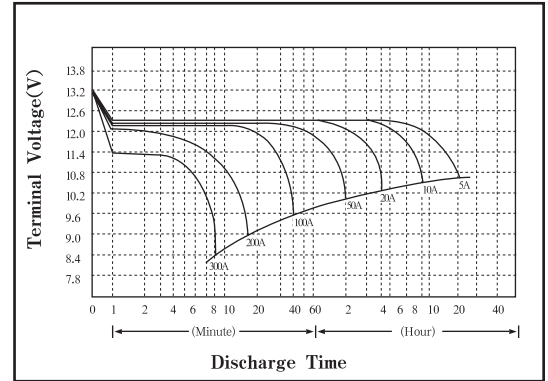
Order #: 06233

Model: 11012AGMDC

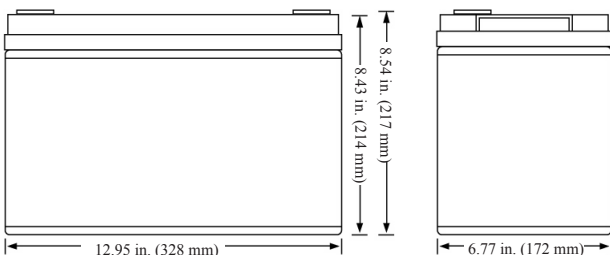
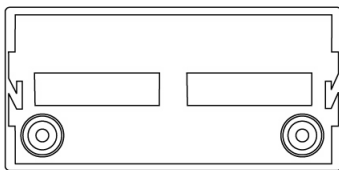
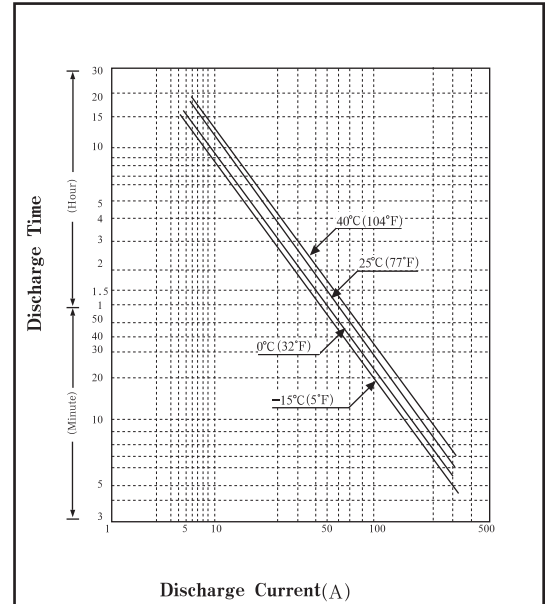
- Sealed Lead Acid
- 12 Volt
- Deep Cycle
- VRLA
- AGM
- 110AH/20 Hour
- Rechargeable

Electrical Specifications	OGRE 110AH	
Capacity 77°F 25°C	20 hour rate (5.5A)	110AH
	10 hour rate (10A)	110AH
	5 hour rate (18A)	90AH
	1 hour rate (1 A)	60AH
Internal Resistance	Fully charged battery 77°F	4.3m Ω
Capacity	104°F	102%
Affected By	77°F	100%
Temperature	32°F	85%
(20 hour rate)	5°F	65%
Self-Discharge 77°F 25°C	Capacity after 3 month storage	92%
	Capacity after 6 month storage	83%
	Capacity after 12 month storage	65%
Charge Constant Voltage	Cycle: initial charging current less than 33A. Voltage 14.4-15.0 V 77°F Standby Voltage 13.5-13.8 V 77°F	

Discharge Characteristics(20°C ,68°F)



Discharge Characteristics(0°C /32°F, 40°C /104°F)



Authorized Dealer:



**AUTOMATION-X**

800.898.2899 automation-x.com

ogreenenergy.com